

START HERE! READ ME FIRST

Don't be a hero and muscle through this installation without reading these fitting instructions first! Improper installation of this gear may void certain aspects of your warranty.

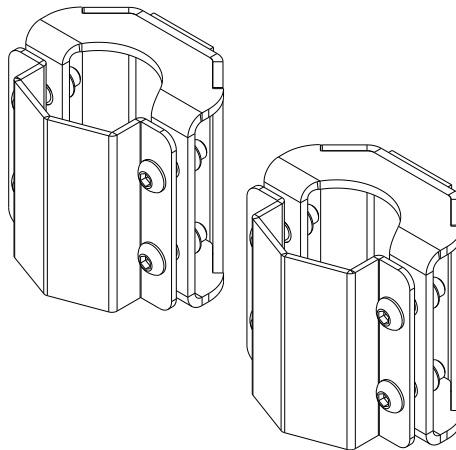
Before you begin, take a moment and open all your Front Runner rack kit boxes and gather the assembly instructions for the various components.

A complete kit will contain:

1. A Front Runner Mounting System specific to your vehicle
2. A Front Runner Rack Tray or Load Bar Slats

This document will guide you through the assembly of the mounting system and assist you in fitting the roof rack tray or load bars to your specific vehicle.

Please refer to the next page for a list of all the components, quantities and tools required.



IMPORTANT WARNING! ⚠️

IT IS CRITICAL THAT ALL FRONT RUNNER PRODUCTS BE PROPERLY AND SECURELY ASSEMBLED AND ATTACHED TO YOUR VEHICLE. IMPROPER ATTACHMENT COULD RESULT IN AN AUTOMOBILE ACCIDENT, AND COULD CAUSE SERIOUS BODILY INJURY OR DEATH. YOU ARE RESPONSIBLE FOR ASSEMBLING AND SECURING ALL FRONT RUNNER PRODUCTS TO YOUR VEHICLE, CHECKING THE ATTACHMENTS PRIOR TO USE, AND PERIODICALLY INSPECTING THE PRODUCTS FOR ADJUSTMENT, WEAR AND DAMAGE. THEREFORE, YOU MUST READ AND UNDERSTAND ALL OF THE INSTRUCTIONS AND PRECAUTIONS SUPPLIED WITH YOUR FRONT RUNNER PRODUCT PRIOR TO INSTALLATION OR USE. IF YOU DO NOT UNDERSTAND ALL OF THE INSTRUCTIONS AND CAUTIONS, OR IF YOU HAVE NO MECHANICAL EXPERIENCE AND ARE NOT THOROUGHLY FAMILIAR WITH THE INSTALLATION PROCEDURES, YOU SHOULD HAVE THE PRODUCT INSTALLED BY A PROFESSIONAL INSTALLER OR OTHER QUALIFIED PERSONNEL.

NOTE: Front Runner will not be responsible for any damage caused by the failure to install the product according to these instructions.

Please call us if you have any questions about the installation of this product.



1 GET ORGANIZED

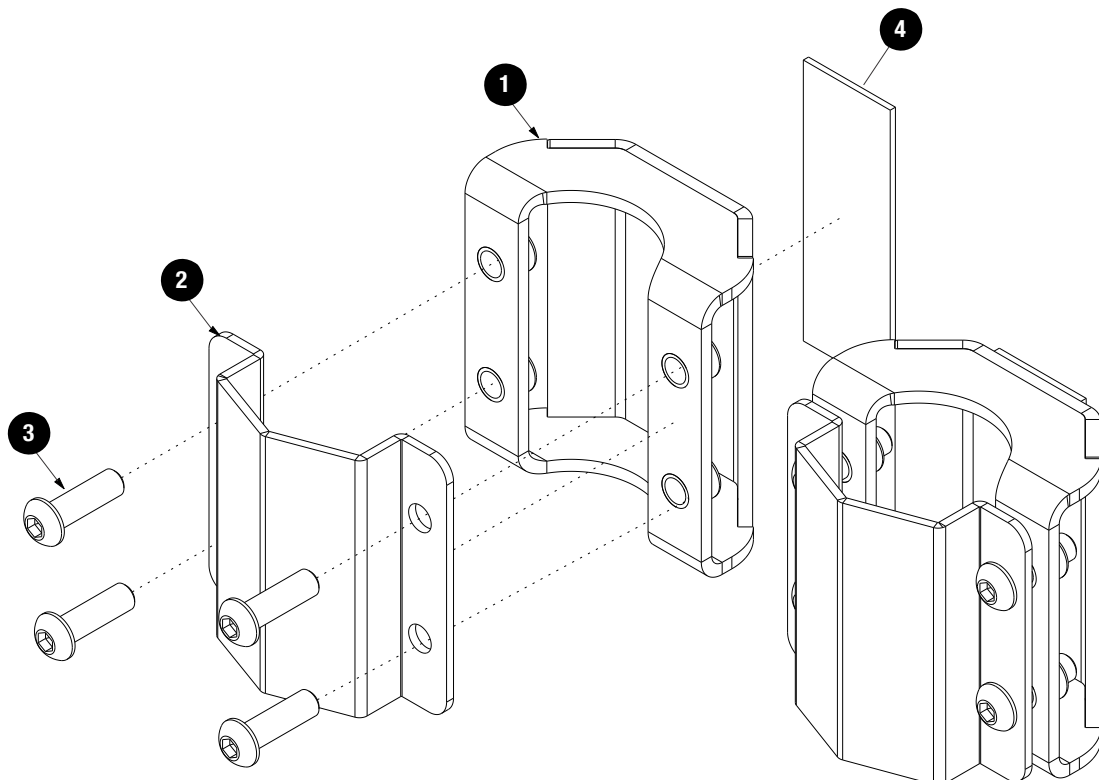
IN THE BOX

1	2 X	Back Bracket
2	2 X	Front Bracket
3	8 X	M6 x 20 Button Head Screw
4	2 X	VHB tape 70mm

TOOLS NEEDED

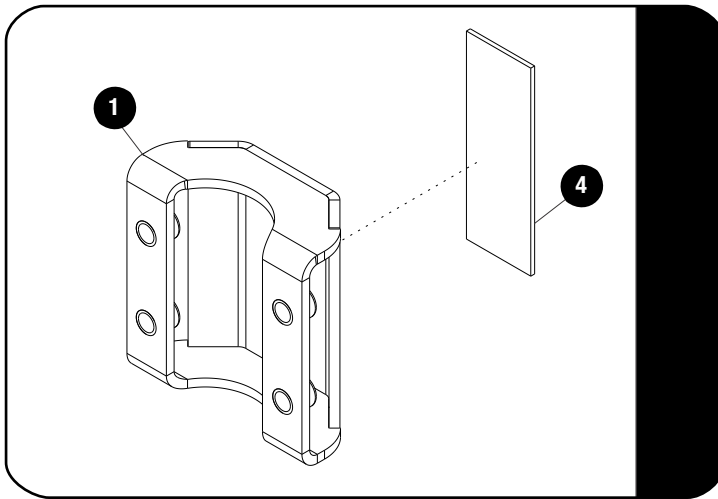


4mm



2**FIT AND SECURE**

2.1



Clean the rear of the Back Bracket (Item 1) with Denatured alcohol and adhere the VHB tape (Item 4) to the back of the Mounting bracket.

DO NOT REMOVE THE BACKING AT THIS POINT.



NOTE: Use a heat gun to heat the surface and VHB tape a little before applying. This will help to create a strong bond, especially in colder climates.

2.2



Loosen the nut securing the Pillar Bracket to the underside of the Rack before continuing to the next step.

Measure 300mm from the underside of the rack to the top of the Back bracket, mark position with a piece of tape.

2.3



Using M6x20 Button Head Screws (Item 3) loosely tighten the Front Bracket to the Back Bracket. Position and rotate bracket assembly to align with the A pillar. Remove the VHB backing and push the A pillar bracket inward towards the vehicle's A pillar to adhere. Check Door clearance by opening and adjust A pillar accordingly. While holding in place fully tighten the Nut securing the A Pillar bracket to the underside of the rack. Fully tighten all fasteners. Repeat Steps 2.1 to 2.3 on the opposite side A Pillar bracket



Tightening Torque:

M6 : 8-10Nm / 5.9 ft lb - 7.38 ft lb

3

COMPLETION

3.1

Congratulations! You did it. Take a step back and admire your work!



4

INSTALL OTHER VEHICLE AND RACK ACCESSORIES

Now's the time to visit your favorite Front Runner dealer in person or online.

IMPORTANT!

FRONT RUNNER RACK KITS OFTEN HAVE A HIGHER LOAD RATING THAN THE VEHICLES THEY ARE MOUNTED TO. PLEASE REFER TO YOUR SPECIFIC VEHICLE MANUFACTURER FOR A RECOMMENDED ROOF RATING. FRONT RUNNER CANNOT BE RESPONSIBLE FOR IMPROPER LOADING BEYOND THE VEHICLE MANUFACTURER'S STATED LOAD CAPACITY.

Be sure to tag us. We love to see our gear in action! #FrontRunnerOutfitters #BornToRoam

Share your adventures on: 