



WT-EGRRTR-1415

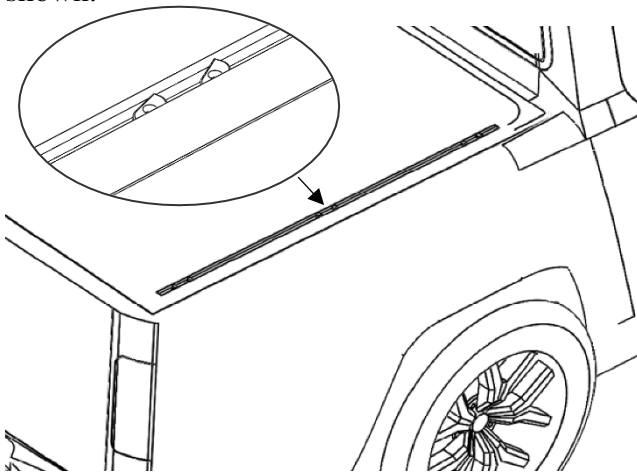
EGR Tub Rack Fitting Instructions

INSTALLING RAILS AND ROOF RACK:

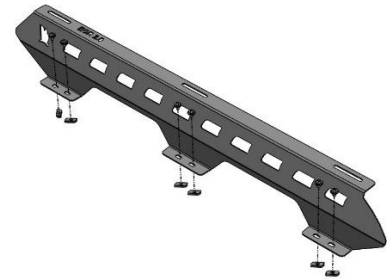
Congratulations on the purchase of your Australian made Wedgetail Roof Rack product, please follow these instructions to ensure correct fitment.

Mounting Installation

1. Place the channel nut into the tub gutter as shown.

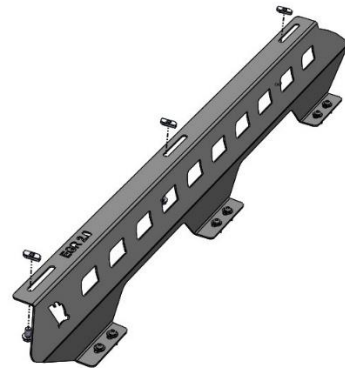


2. Place the rail on the tub aligning with the channel nuts.
3. Fasten using the M8 bolts and washers.



4. Fit 10mm Bolt / Split washer/ Flat washer with the Channel Nuts on top of the rail.

**Channel nuts to the top as shown in the next diagram*



5. Place the Wedgetail Platform on the rails then spin the channel nuts 90 degree in the channel on the underside of the rack till they lock into the channels. Do not tighten fully.



WT-EGRRTR-1415



Wedgetail by Tradesman Roof Racks

Innovation through Inspiration

6. Centralize the rack side to side (using a tape measure) on the wedgetail rails.
7. Fully tighten remaining bolts in the following order:
 - a. Rail to the tub
 - b. Rails to Platform

* Ensure the channel nuts are 90 degrees to the channels in the platform

Check fastenings are firmly tensioned at regular intervals

Do not overtighten so as to preserve spring washers.

Thank you for your purchase

Please complete your warranty application following correct installation