

READ ME ! ⚠

Thank you for purchasing a Front Runner Leg Assembly.

Before you start, take a moment to familiarize yourself with the Fitting Instructions and the components received.

Refer to Page 2 for a list of all the components, quantities and tools required.

IMPORTANT WARNING! ⚠

IT IS CRITICAL THAT ALL FRONT RUNNER PRODUCTS BE PROPERLY AND SECURELY ASSEMBLED AND ATTACHED TO YOUR VEHICLE. IMPROPER ATTACHMENT COULD RESULT IN AN AUTOMOBILE ACCIDENT, AND COULD CAUSE SERIOUS BODILY INJURY OR DEATH. YOU ARE RESPONSIBLE FOR ASSEMBLING AND SECURING ALL FRONT RUNNER PRODUCTS TO YOUR VEHICLE, CHECKING THE ATTACHMENTS PRIOR TO USE, AND PERIODICALLY INSPECTING THE PRODUCTS FOR ADJUSTMENT, WEAR AND DAMAGE. THEREFORE, YOU MUST READ AND UNDERSTAND ALL OF THE INSTRUCTIONS AND PRECAUTIONS SUPPLIED WITH YOUR FRONT RUNNER PRODUCT PRIOR TO INSTALLATION OR USE. IF YOU DO NOT UNDERSTAND ALL OF THE INSTRUCTIONS AND CAUTIONS, OR IF YOU HAVE NO MECHANICAL EXPERIENCE AND ARE NOT THOROUGHLY FAMILIAR WITH THE INSTALLATION PROCEDURES, YOU SHOULD HAVE THE PRODUCT INSTALLED BY A PROFESSIONAL INSTALLER OR OTHER QUALIFIED PERSONNEL.

NOTE: Front Runner will not be responsible for any damage caused by the failure to install the product according to these instructions.

Please call us if you have any questions about the installation of this product.

1 GET ORGANIZED

IN THE BOX

1	2 X	Leg
2	4/6 X	M8 x 25 Hex Bolt
3	4/6 X	M8 Nyloc Nut
4	4/6 X	M8 Nut Cap
5	2 X	Gutter Clamp
6	2 X	M8 Schnorr Washer
7	2 X	M8 x 30 Button Head Bolt
8	2 X	Diagonal Leg
9	2 X	Leg Base
10	2 X	M8 Cage Nut

TOOLS NEEDED



Note:

For Diagonal Leg Fitment - 6 of each Hex Bolt, Nyloc Nut and Nut Cap will be supplied

For Straight Leg Fitment - 4 of each Hex Bolt, Nyloc Nut and Nut Cap will be supplied

FIGURE 1.1 - LEG

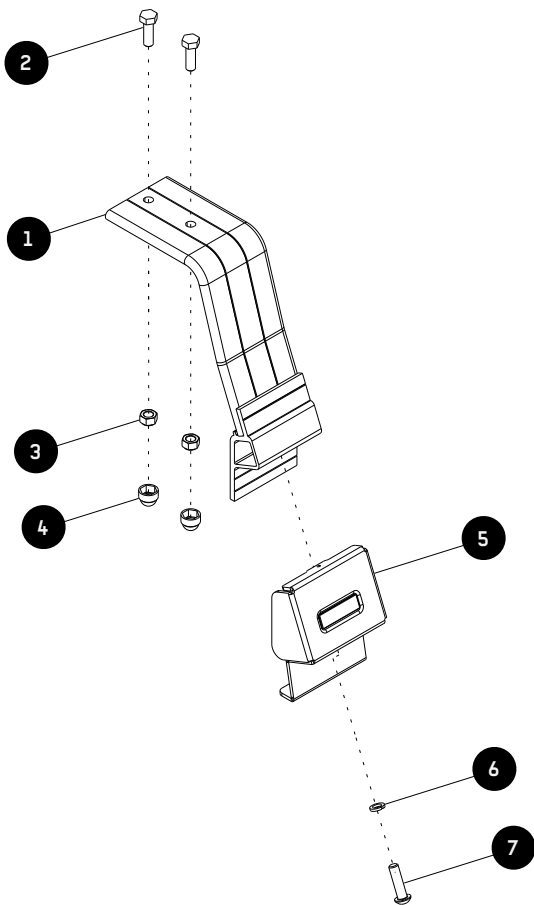
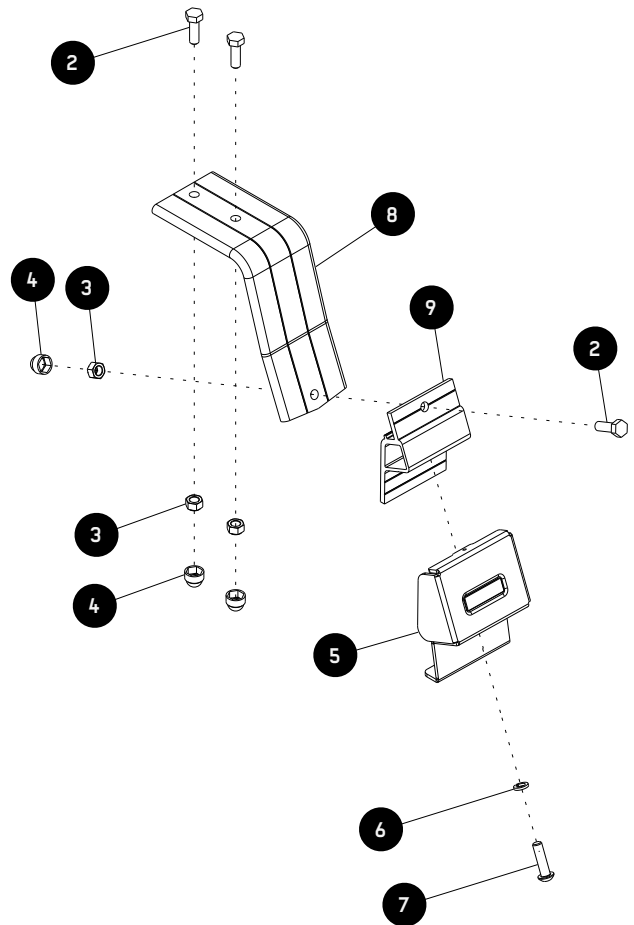
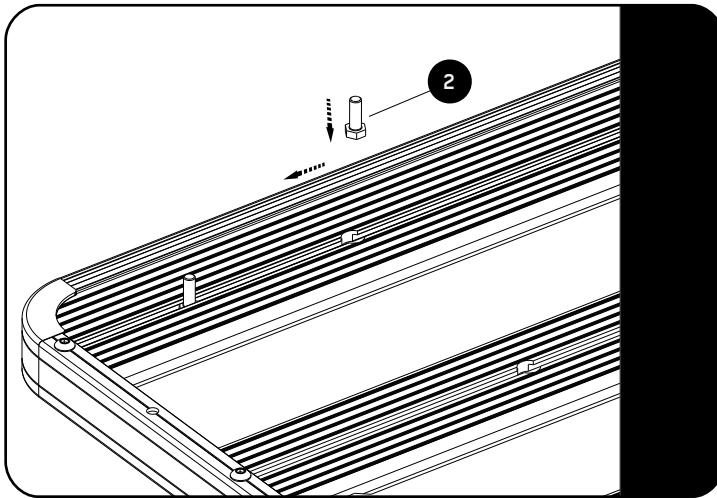


FIGURE 1.2 - DIAGONAL LEG



2**FIT AND SECURE**

2.1



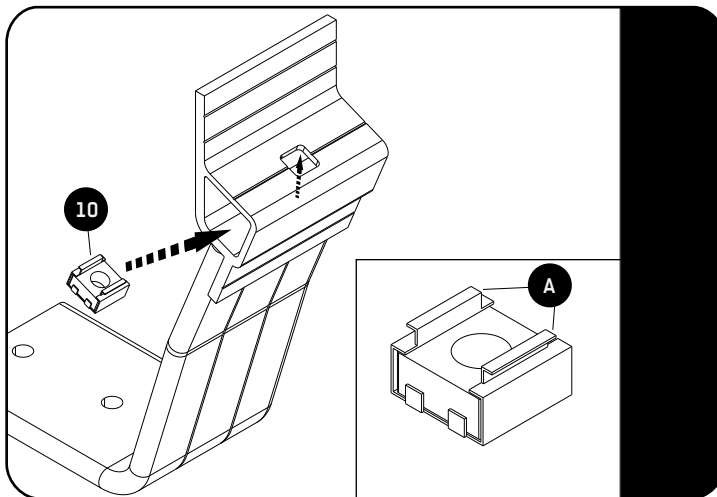
RECOMMENDED SPACING BETWEEN LEGS OR FEET ARE 3 SLATS.

SPACING MAY NOT EXCEED 4 SLATS.



Slide two M8 x 25 Hex Bolts (Item 2) into the Slats machined slots.

2.2

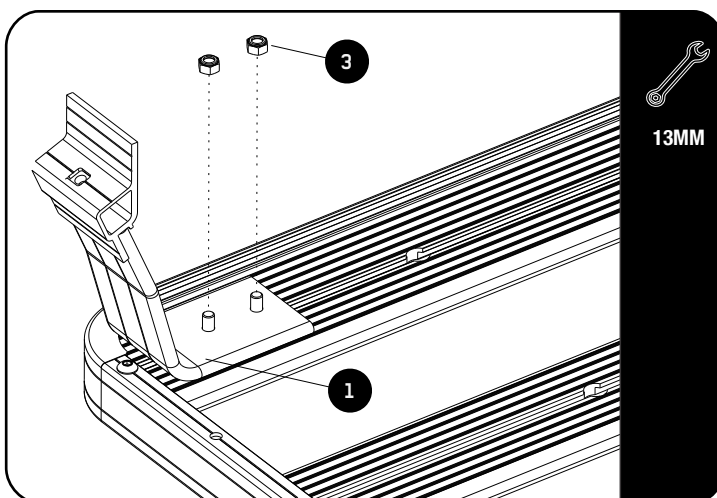


Secure the M8 Cage Nut (Item 10) to the inside of the aluminium leg's cavity with the flanges (A) facing outward.



IF THE CAGE NUTS ARE FITTED THE WRONG WAY AROUND, THE GUTTER CLAMP WILL NOT CLAMP TO THE VEHICLE CORRECTLY.

2.3



IF YOU ARE FITTING A DIAGONAL LEG, REFER TO FIGURE 1.2 FOR ASSEMBLY.

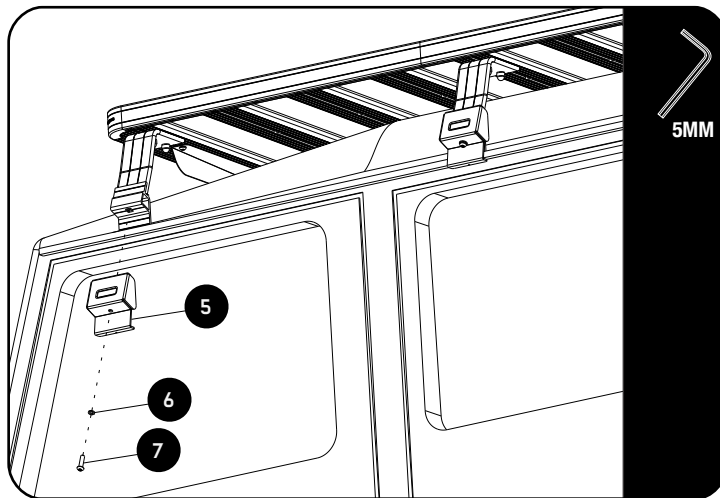


Loosely fit the Legs (Item 1 OR 8) using the M8 Nyloc Nuts (Item 3).

Place M8 Nut Caps (Item 4) on all the Nyloc Nuts after fully tightening.

2 FIT AND SECURE

2.4



Secure the Gutter Clamps (Item 5) using M8 x 30 Button Heads and M8 Schnorr Washers (Items 6 & 7).

3 FINISH

Congratulations! You did it. Take a step back and admire your work!

4 INSTALL OTHER VEHICLE AND RACK ACCESSORIES

Now's the time to visit your favorite Front Runner Dealer in person or online.

Be sure to tag us. We love to see our gear in action! #FrontRunnerOutfitters #BornToRoam

Share your adventures on: 