

START HERE!

READ ME FIRST

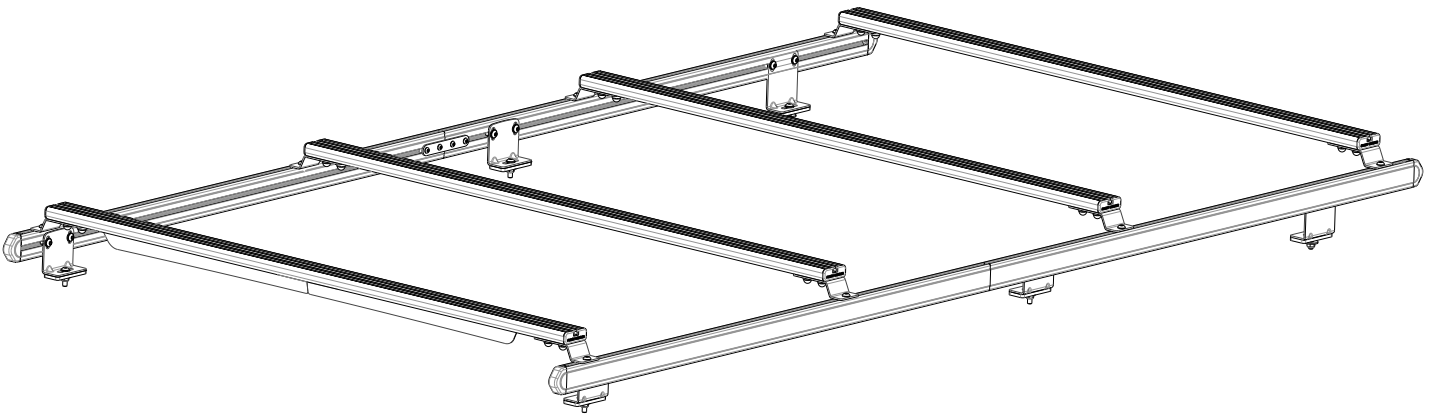
Don't be a hero and muscle through this installation without reading these fitting instructions first! Improper installation of this gear may void certain aspects of your warranty.

Before you begin, take a moment and open all your Front Runner Rack Kit boxes and gather the assembly instructions for the various components.

A complete kit will contain:

1. Front Runner Mounting System specific to your vehicle
2. Front Runner Rack Tray or Load Bar Slats

This document will guide you through the assembly of the Mounting System and assist you in fitting the Rack tray or Load Bars to your specific vehicle. Please refer to the next page for a list of all the components, quantities and tools required.



IMPORTANT WARNING!

IT IS CRITICAL THAT ALL FRONT RUNNER PRODUCTS BE PROPERLY AND SECURELY ASSEMBLED AND ATTACHED TO YOUR VEHICLE. IMPROPER ATTACHMENT COULD RESULT IN AN AUTOMOBILE ACCIDENT, AND COULD CAUSE SERIOUS BODILY INJURY OR DEATH. YOU ARE RESPONSIBLE FOR ASSEMBLING AND SECURING ALL FRONT RUNNER PRODUCTS TO YOUR VEHICLE, CHECKING THE ATTACHMENTS PRIOR TO USE, AND PERIODICALLY INSPECTING THE PRODUCTS FOR ADJUSTMENT, WEAR AND DAMAGE. THEREFORE, YOU MUST READ AND UNDERSTAND ALL OF THE INSTRUCTIONS AND PRECAUTIONS SUPPLIED WITH YOUR FRONT RUNNER PRODUCT PRIOR TO INSTALLATION OR USE. IF YOU DO NOT UNDERSTAND ALL OF THE INSTRUCTIONS AND CAUTIONS, OR IF YOU HAVE NO MECHANICAL EXPERIENCE AND ARE NOT THOROUGHLY FAMILIAR WITH THE INSTALLATION PROCEDURES, YOU SHOULD HAVE THE PRODUCT INSTALLED BY A PROFESSIONAL INSTALLER OR OTHER QUALIFIED PERSONNEL.

NOTE: Front Runner will not be responsible for any damage caused by the failure to install the product according to these instructions.

Please call us if you have any questions about the installation of this product.



1 GET ORGANIZED

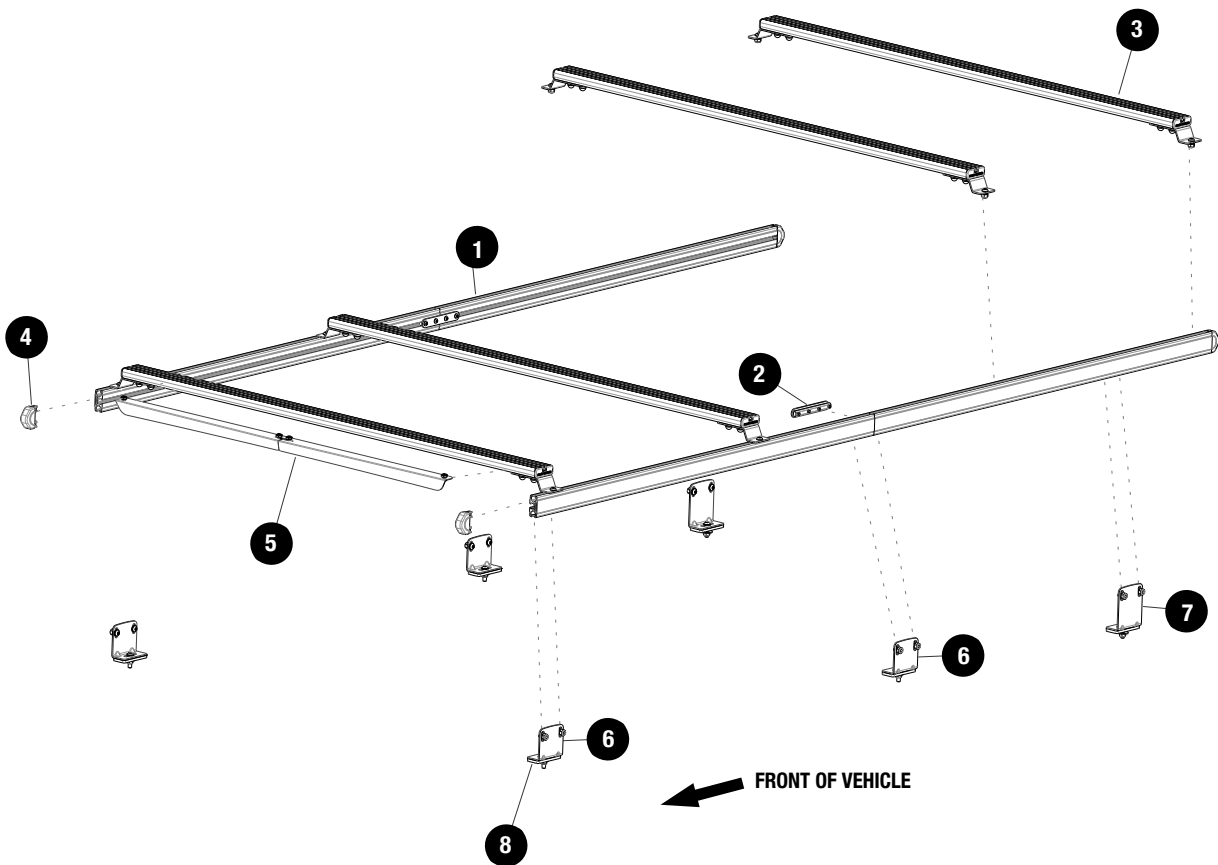
IN THE BOX

- | | | |
|---|-----|------------------------------|
| 1 | 4 X | Side Profile |
| 2 | 1 X | Van Rack Joiner Kit (Pair) |
| 3 | 2 X | Narrow Slat / 1255mm (Pair) |
| 4 | 2 X | Van Track End Cap (Pair) |
| 5 | 1 X | Van Rack Wind Deflector |
| 6 | 2 X | Foot (Pair) - Low (FAVF005) |
| 7 | 1 X | Foot (Pair) - Tall (FAVF006) |
| 8 | 2 X | Spacer Set |

TOOLS NEEDED

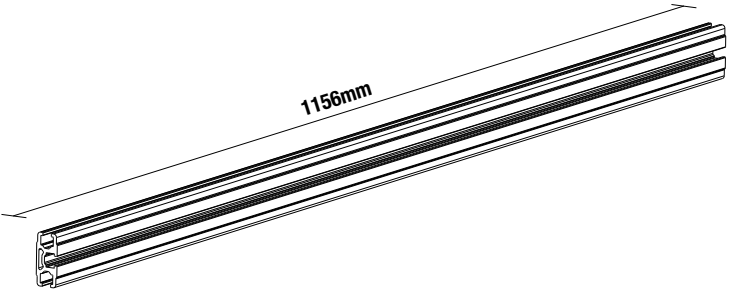


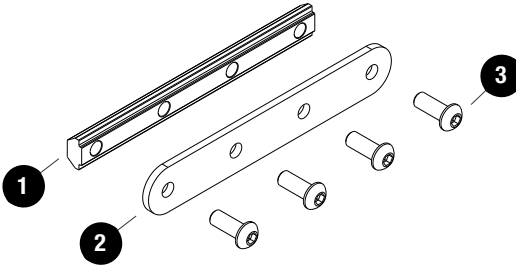
FIGURE 1.1

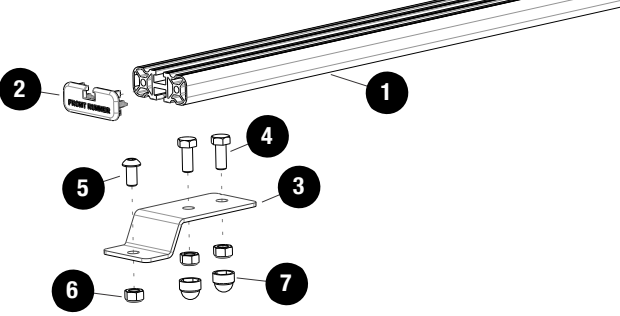


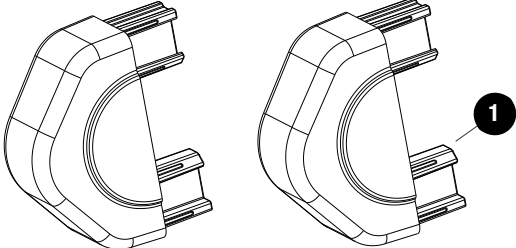
1

GET ORGANIZED

1 SPVT001 - SIDE PROFILE	#	QTY	IN THE BOX
	1	4 X	Side Profile (1156mm)

2 RRAC207 - VAN RACK JOINER KIT	#	QTY	IN THE BOX
	1 2 3	2 X 2 X 8 X	SPVT Joiner Bar Joiner Plate M6 x 16 Button Head Bolt

3 RRNS1255 (FAVF007 & RRAC209) - SLAT ASSEMBLY	#	QTY	IN THE BOX
	1 2 3 4 5 6 7	4 X 8 X 8 X 16 X 8 X 24 X 16 X	Narrow Slat Narrow Slat End Cap Slat Z Bracket M8 x 20 Hex Head Bolt M8 x 16 Button Head Bolt M8 Nyloc Nut M8 Nut Cap

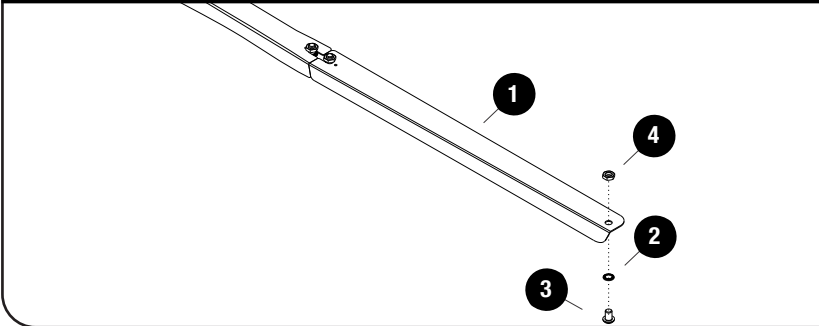
4 RRAC208 - VAN TRACK END CAP	#	QTY	IN THE BOX
	1	4 X	End Cap

1

GET ORGANIZED

5 WDST013 - VAN RACK WIND DEFLECTOR

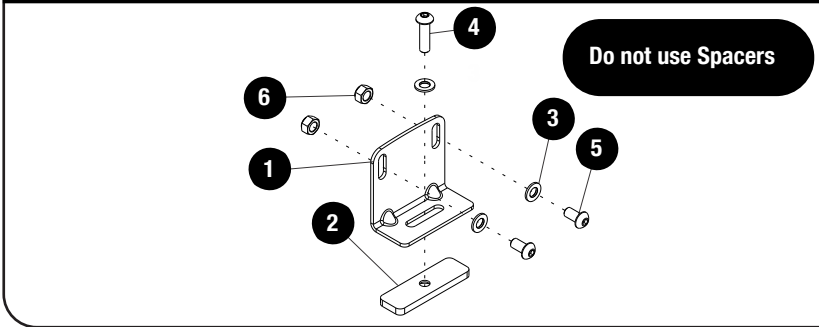
QTY IN THE BOX



1	2 X	Wind Deflector (1LH & 1 RH)
2	4 X	Schnorr Washer
3	4 X	M8 x 12 Button Head Bolt
4	4 X	M8 Thin Nut

6 FAVF005 - VAN FOOT MOUNTING BRACKET - LOW (FAVF005)

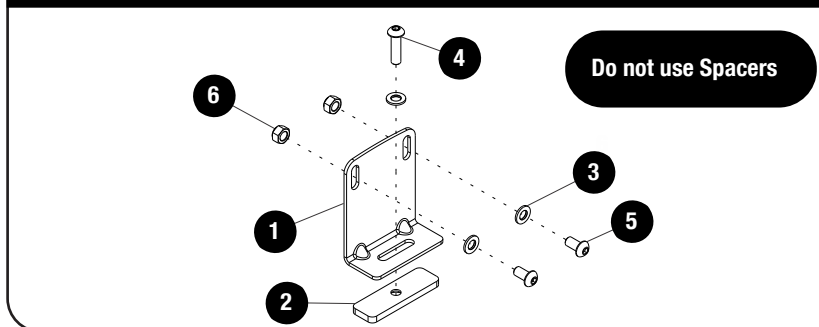
QTY IN THE BOX



1	2 X	Low Foot (Pair)
2	2 X	Plastic Spacer (Pair)
3	12 X	M8 x 16 x 1.6 Flat Washer
4	4 X	M8 x 30 Button Head Bolt
5	8 X	M8 x 16 Button Head Bolt
6	8 X	M8 Nyloc Nut

7 FAVF006 - VAN FOOT MOUNTING BRACKET - TALL (FAVF006)

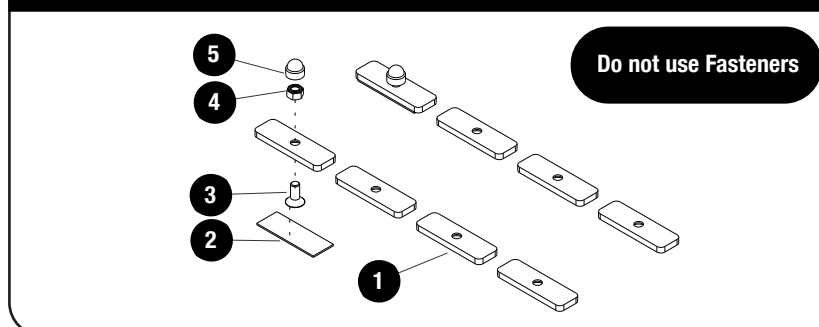
QTY IN THE BOX



1	1 X	High Foot (Pair)
2	1 X	Plastic Spacer (Pair)
3	6 X	M8 x 16 x 1.6 Flat Washer
4	2 X	M8 x 30 Button Head Bolt
5	4 X	M8 x 16 Button Head Bolt
6	4 X	M8 Nyloc Nut

8 RRAC978 - SPACERS

QTY IN THE BOX

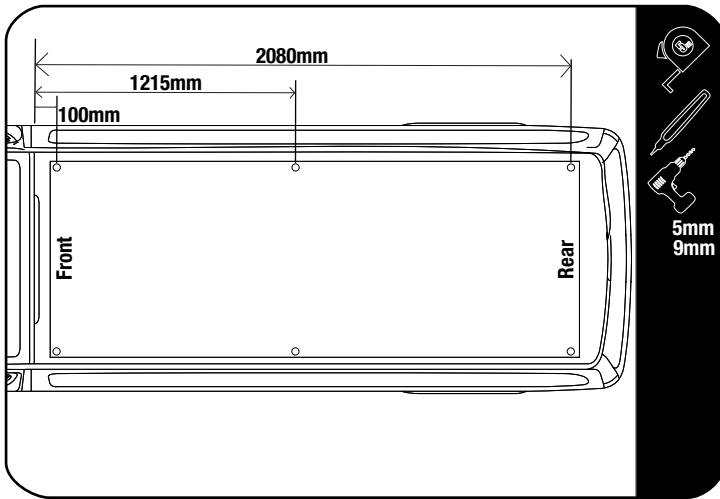


1	16 X	HDPE Spacer
2	4 X	70mm Double Sided Tape
3	4 X	M8 x 20 Countersink Bolt
4	4 X	M8 Nyloc Nut
5	4 X	M8 Nut Cap

2

ROOF PREPARATION

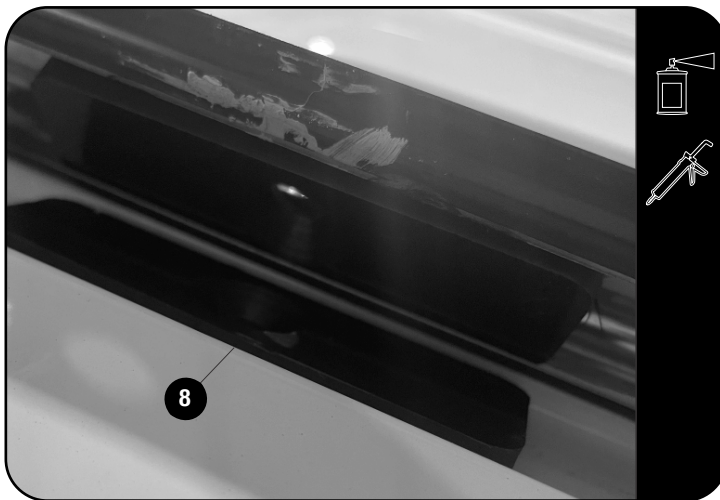
2.1



From the front of the sliding door, measure 100mm, 1215mm and 2080mm and mark these points in the centre of the ditch mould.

Drill a 5mm Pilot Hole through the ditch mould and the roof of the vehicle on the marks, as shown. Open the holes to 9mm.

2.2



Unclip and lift the ditch mould and apply rust preventive paint to the holes.

Apply a bead of sealant in and around each hole and insert two HDPE Spacers (Item 8) per hole, as shown, under the ditch mould. Make sure the the holes all align.

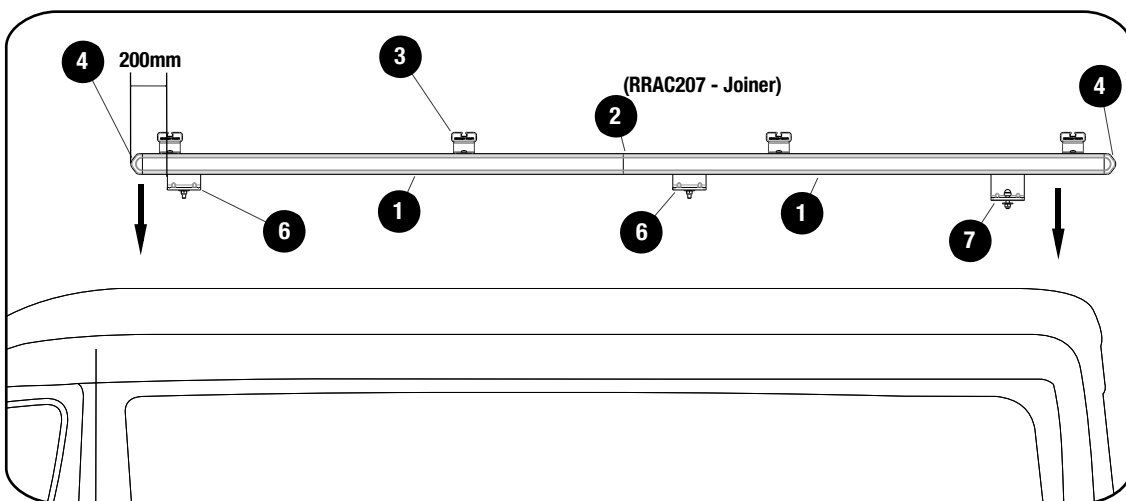
Push the ditch mould back into place.



Do not use the Standard Spacers included with the Feet, these will be too wide. Use only the Spacers included in Item 8.

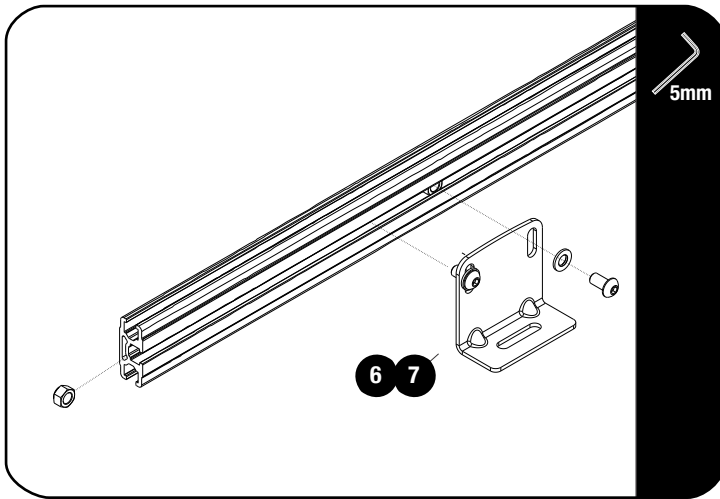
Fasteners included in Item 8 should also not be used.

2.3



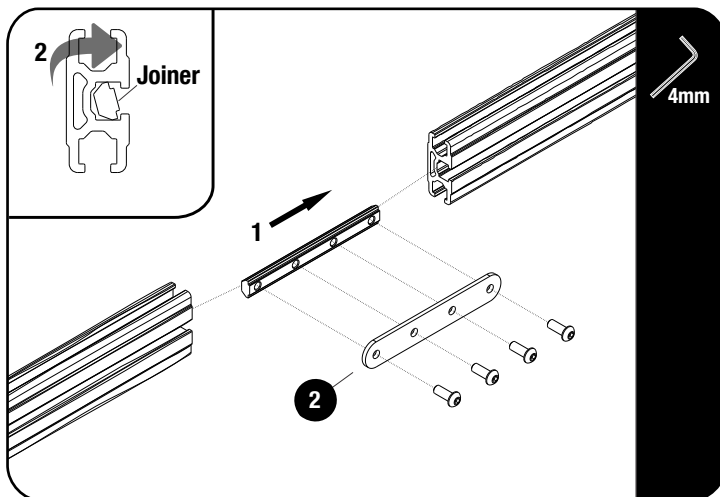
SIDE PROFILE ASSEMBLY

3.1



Loosely assemble the Low/High Feet (Item 6 & 7) using M8 x 16 Button Head Bolts, M8 Flat Washers and M8 Nyloc Nuts and slide them into the side profiles. They must still slide freely.
Refer to Item 6 and 7 on page 4 for assembly.
See 2.3 for positioning around Joiners

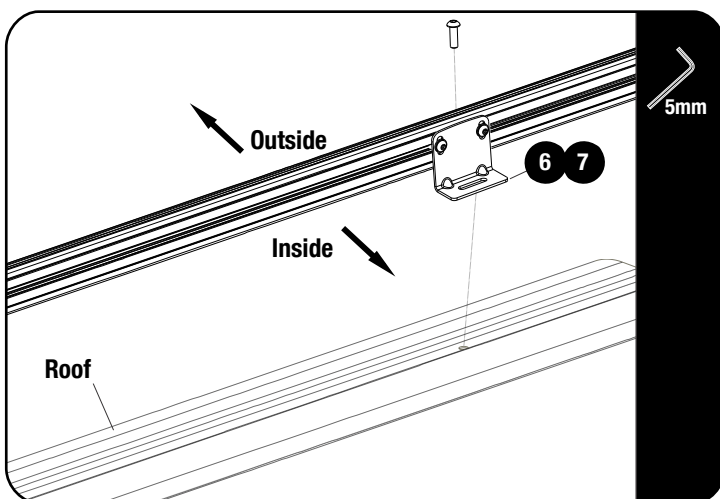
3.2



Place Joiner into the Side Profile and twist into position as shown.
Refer to Item 4 on Page 3.
Assemble the Side Profiles (Item 1) using the Rack Joiners (Item 2) and M6 x 16 Button Head Bolts and fully tighten.
See 2.3 for Side Profile orientation.

Tightening Torque:
M6 : 8-10Nm / 5.9 ft lb - 7.38 ft lb

3.3



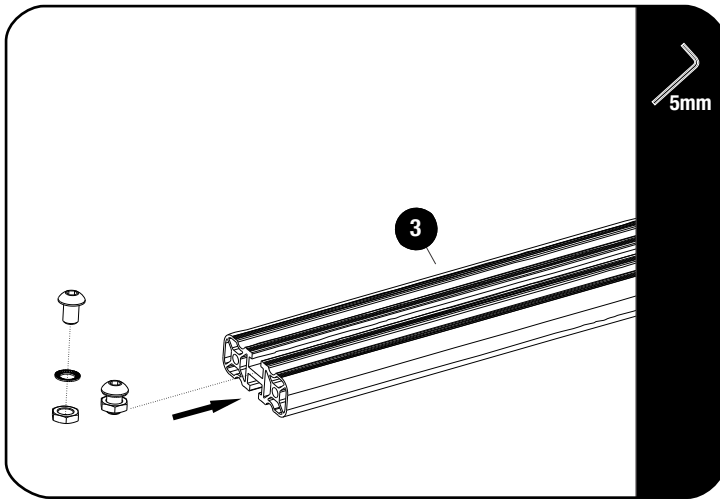
Apply Sealant around all mounting holes on the ditch mould.
Place pre-assembled Side Profiles over the mounting points. Align feet with holes drilled in step 2.1 and secure the feet to the roof using the M8 x 30 Button Head Bolts, M8 x 16 Flat Washers (outside) and M8 Nyloc Nuts (Inside). You will need a friend to help. Fully tighten.

Refer to Item 6 (2 Pairs) and 7 on page 4.
Tightening Torque:
M8 : 15-20Nm / 11.06 ft lb - 14.75 ft lb

4

WIND DEFLECTOR ASSEMBLY

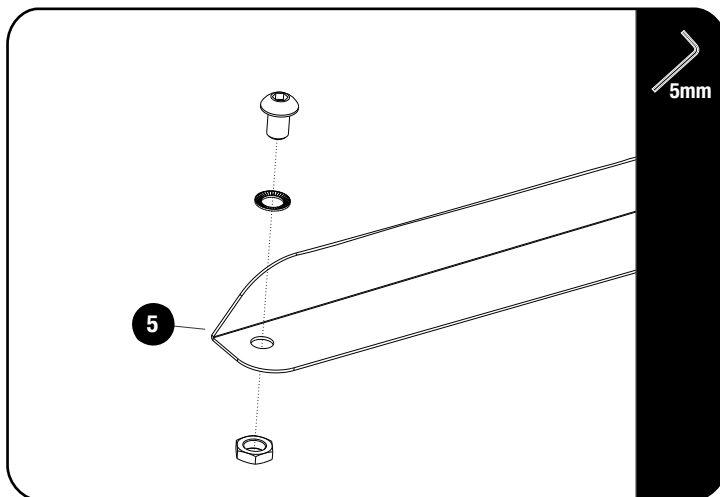
4.1



Insert two Button Head Bolts, M8 Half Nuts and M8 Schnorr Washers assemblies into the Narrow Slat as shown. Slide them to the center of the Narrow Slat (Item 3), making sure that the Schnorr Washer is above the T-Slot Channel.

Refer to Item 8 on page 4.

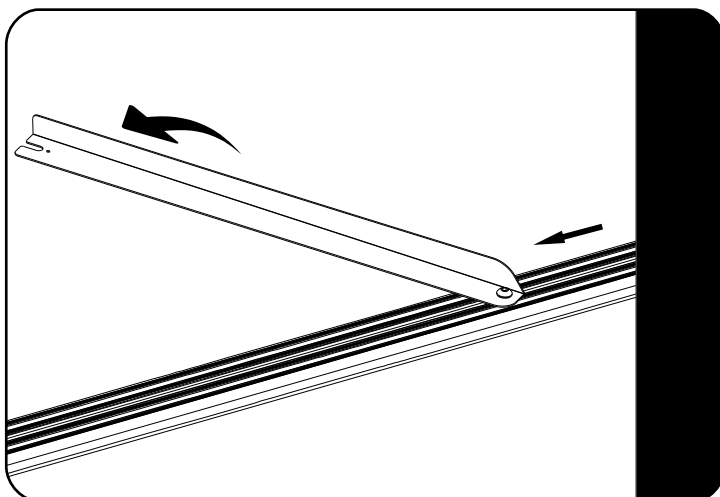
4.2



Loosely assemble the M8 x 12 Button Head Bolt, M8 Schnorr Washers and M8 Thin Nut both LH & RH Wind Deflectors (Item 4) as shown

Refer to Item 8 page 4.

4.3

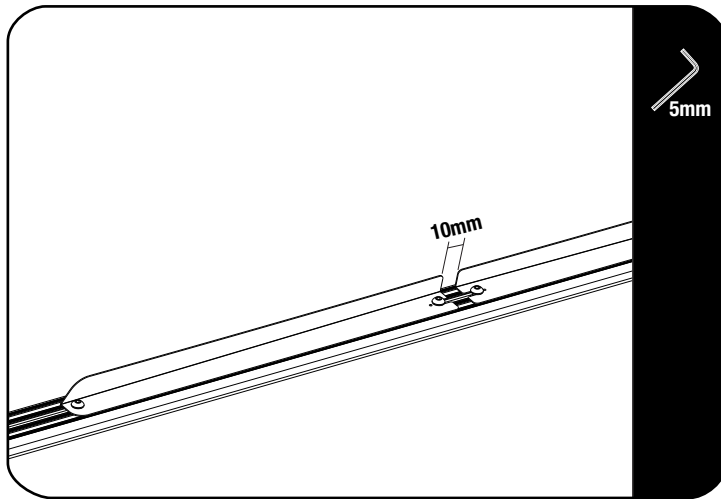


Slide the nut assembled to the Wind Deflector into the T-slot of the Narrow Slat as shown.

Refer to Item 5 page 4.

4**WIND DEFLECTOR FIT & SECURE**

4.4



Center the Wind Deflector on the rack and move the bolt assemblies from fig 4.1 into the slots as shown in fig 4.4.

Leave a 10mm gap between the LH and RH Wind Deflectors and fully tighten.

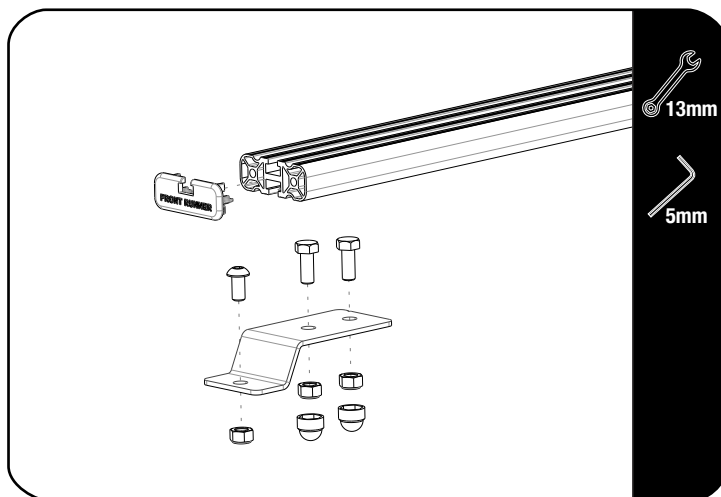
Refer to Item 5 on page 4.

**Tightening Torque:**

M8 : 15-20Nm / 11.06 ft lb - 14.75 ft lb

5**NARROW SLAT ASSEMBLY**

5.1



Loosely assemble the Slat Z Brackets (Item 2) to the Narrow Slats using M8 x 20 Hex Bolts and M8 Nyloc Nuts.

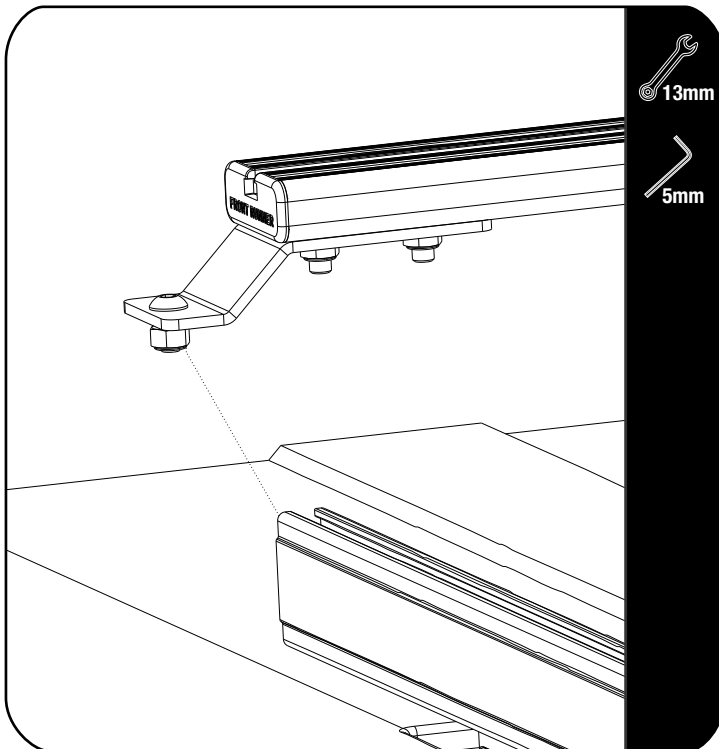
Place the Narrow Slat End Caps on the slats (Item 2). See orientation in 5.1.

Refer to Item 3 on page 3.



Should you want to fit the slats in the inverted position, the slats would need to be shortened down.

5.2

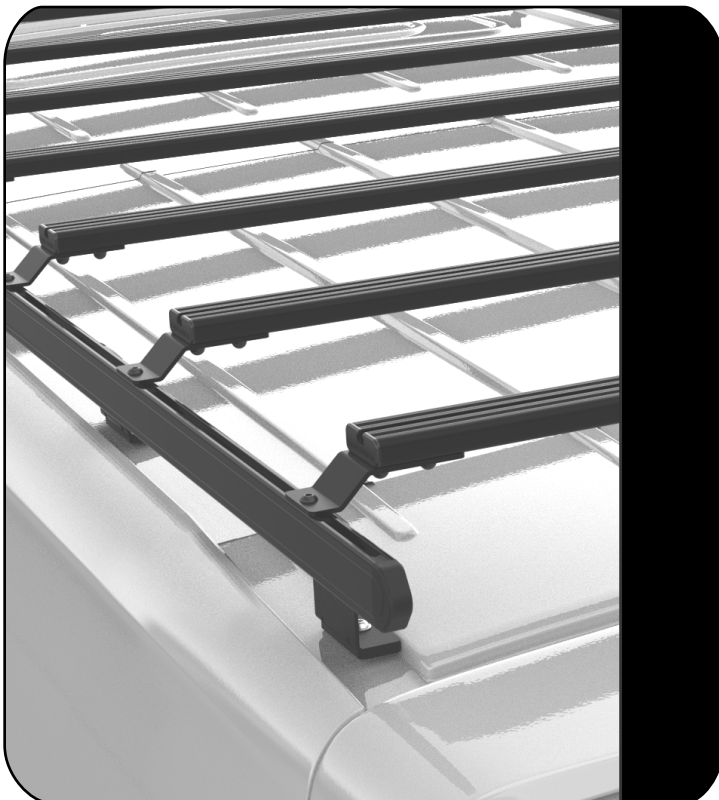


Slide preassembled Slats into the Side Profiles. Space the Slats at evenly, or at your chosen spacing. These can be adjusted at any stage.

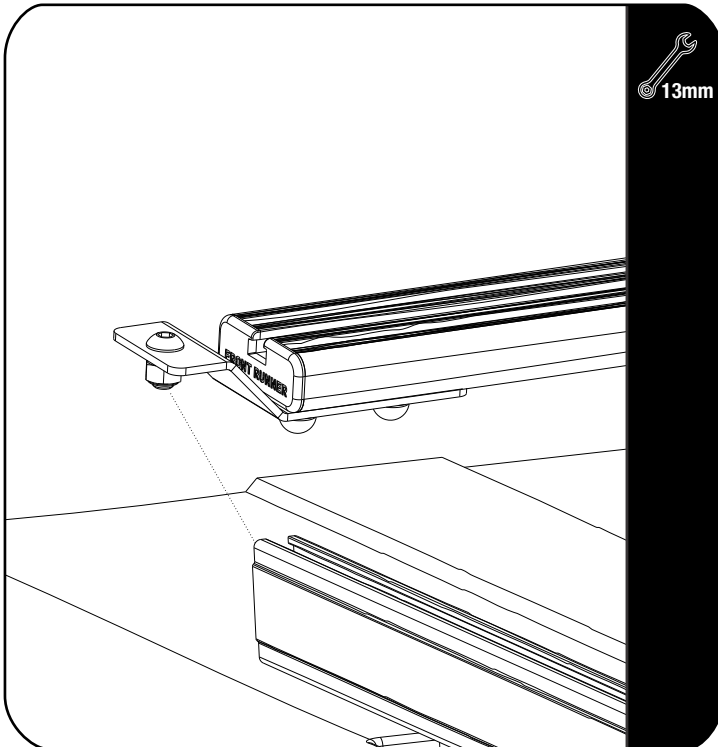
Additional Slats can be added (RRNS1255 Sold Separately).

Refer to Item 3 on page 3.

5.3



5.4



The Slat Z brackets can be inverted as shown if you wish to have the rack lower on your vehicle.



Should you want to fit the slats in the inverted position, the slats would need to be shortened down.

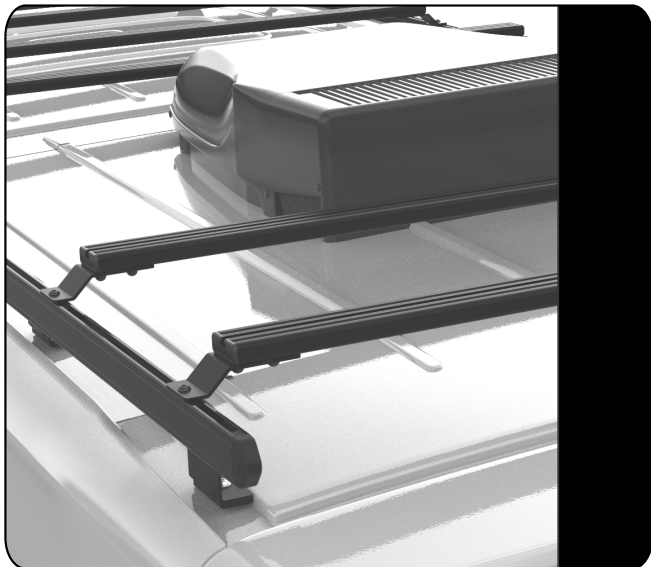
5.5



5

NARROW SLAT FIT & SECURE

5.6



🔄 If a roof A/C is fitted to the vehicle space the slats around the A/C at 202mm increments on shorter lengths and 404mm on the longer lengths

The slats can be positioned in front and behind the A/C unit.

Fully tighten all fasteners.



Tightening Torque 16Nm / 11.8 ft lbs

Place Nut Caps over all Hex Bolts and Nyloc Nuts.

6

COMPLETION

6.1

Congratulations! You did it. Take a step back and admire your work!



7

INSTALL OTHER VEHICLE AND RACK ACCESSORIES

Now's the time to visit your favorite Front Runner dealer in person or online.

IMPORTANT! ⚠️

FRONT RUNNER RACK KITS OFTEN HAVE A HIGHER LOAD RATING THAN THE VEHICLES THEY ARE MOUNTED TO. PLEASE REFER TO YOUR SPECIFIC VEHICLE MANUFACTURER FOR A RECOMMENDED ROOF RATING. FRONT RUNNER CANNOT BE RESPONSIBLE FOR IMPROPER LOADING BEYOND THE VEHICLE MANUFACTURER'S STATED LOAD CAPACITY.

Be sure to tag us. We love to see our gear in action! #FrontRunnerOutfitters #BornToRoam

Share your adventures on: 