

START HERE!

READ ME FIRST

Don't be a hero and muscle through this installation without reading these fitting instructions first! Improper installation of this gear may void certain aspects of your warranty.

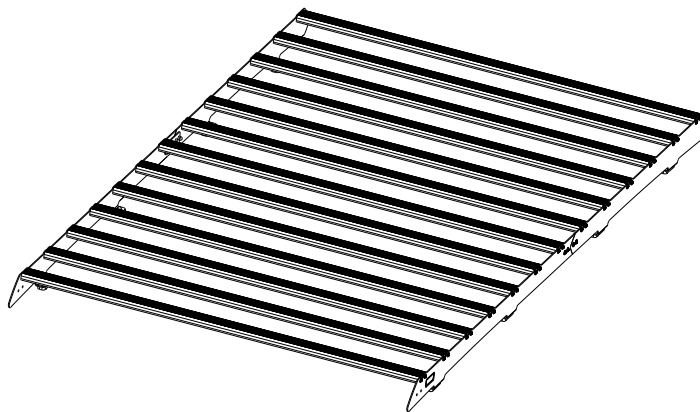
Before you begin, take a moment and open all your Front Runner rack kit boxes and gather the assembly instructions for the various components.

A complete kit will contain:

1. A Front Runner Mounting System specific to your vehicle
2. A Front Runner Rack Tray or Load Bar Slats

This document will guide you through the assembly of the mounting system and assist you in fitting the roof rack tray or load bars to your specific vehicle.

Please refer to the next page for a list of all the components, quantities and tools required.



IMPORTANT WARNING! ⚠️

IT IS CRITICAL THAT ALL FRONT RUNNER PRODUCTS BE PROPERLY AND SECURELY ASSEMBLED AND ATTACHED TO YOUR VEHICLE. IMPROPER ATTACHMENT COULD RESULT IN AN AUTOMOBILE ACCIDENT, AND COULD CAUSE SERIOUS BODILY INJURY OR DEATH. YOU ARE RESPONSIBLE FOR ASSEMBLING AND SECURING ALL FRONT RUNNER PRODUCTS TO YOUR VEHICLE, CHECKING THE ATTACHMENTS PRIOR TO USE, AND PERIODICALLY INSPECTING THE PRODUCTS FOR ADJUSTMENT, WEAR AND DAMAGE. THEREFORE, YOU MUST READ AND UNDERSTAND ALL OF THE INSTRUCTIONS AND PRECAUTIONS SUPPLIED WITH YOUR FRONT RUNNER PRODUCT PRIOR TO INSTALLATION OR USE. IF YOU DO NOT UNDERSTAND ALL OF THE INSTRUCTIONS AND CAUTIONS, OR IF YOU HAVE NO MECHANICAL EXPERIENCE AND ARE NOT THOROUGHLY FAMILIAR WITH THE INSTALLATION PROCEDURES, YOU SHOULD HAVE THE PRODUCT INSTALLED BY A PROFESSIONAL INSTALLER OR OTHER QUALIFIED PERSONNEL.

NOTE: Front Runner will not be responsible for any damage caused by the failure to install the product according to these instructions.

Please call us if you have any questions about the installation of this product.



1 GET ORGANIZED

IN THE BOX

1	1 X	Foot Rail Rear
2	13 X	Slim Sport Slat 1331mm
3	1 X	Foot Rail Rear
4	8 X	10mm HDPE Spacer
5	1 X	Foot Rail Front
6	1 X	Foot Rail front
7	2 X	Joiner Plate
8	52 X	M6 x 25 Thread Forming Screw
9	8 X	M6 x 16 Flange Button Head Screw
10	8 X	M6 Nyloc Nut
11	8 X	M6 x 20 x 2 Flat Washer
12	8 X	M6 x 30 Hex Bolt
13	16 X	M6 Nut Cap

TOOLS NEEDED



10mm



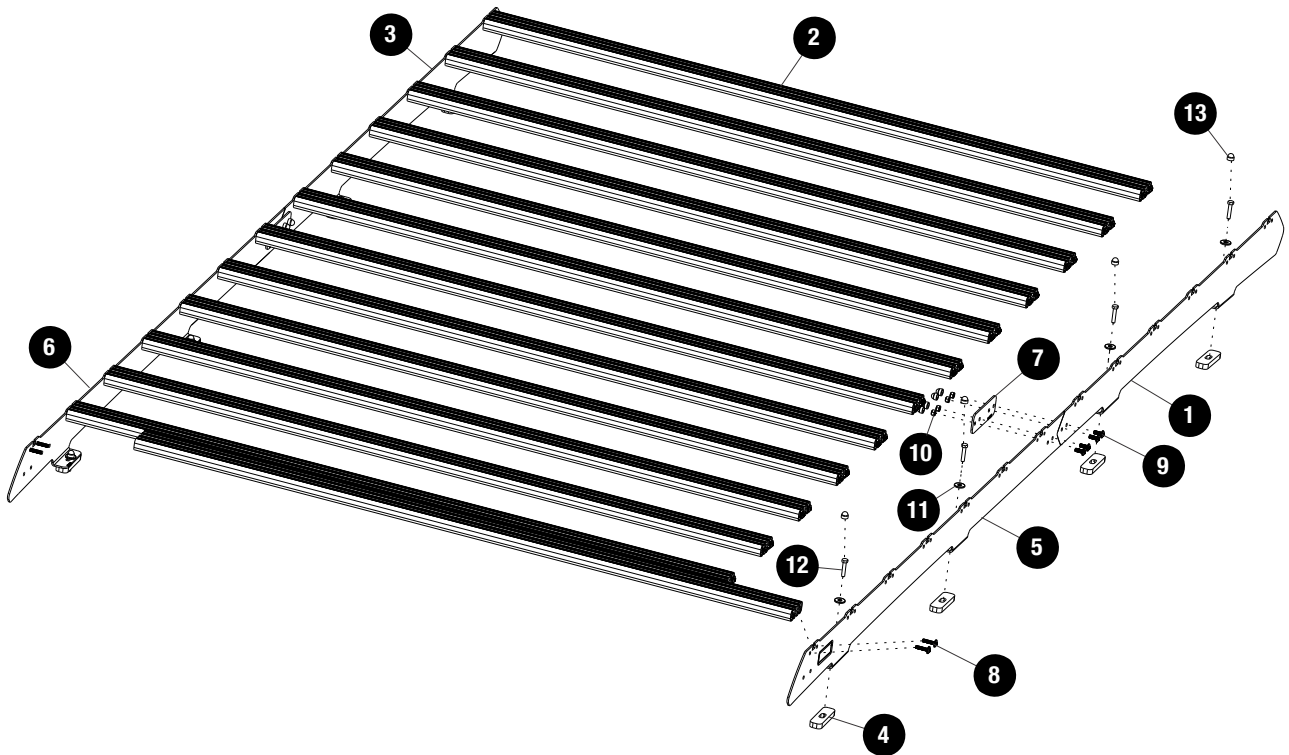
Oil or Anti Seize



Sealant



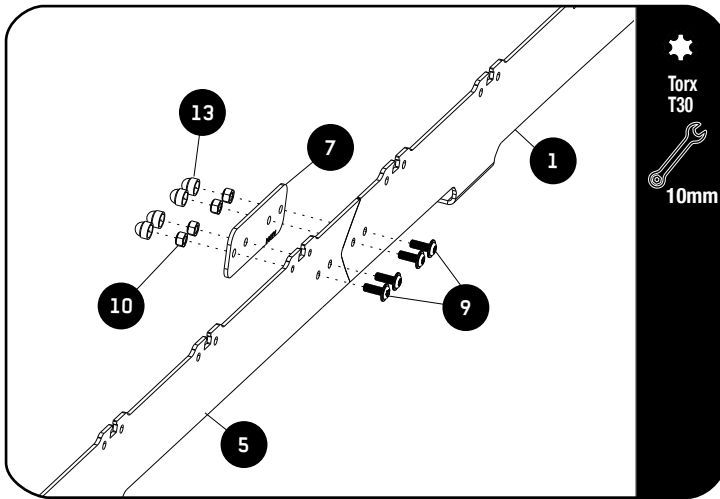
Torx T30



2

FIT AND SECURE

2.1



Assemble the Front and Rear Foot Rail (Items 1 & 5) with the Joiner Plate (Item 7) using M6 x 16 Flange Button Head Bolts and M6 Nyloc Nuts (Items 9 & 10) as shown.

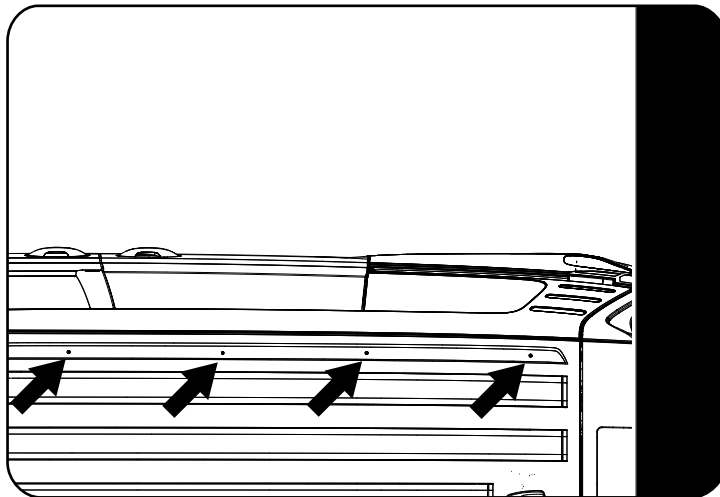
Place M6 Nut Caps (Item 13) on the Nyloc Nuts.



Tightening Torque:

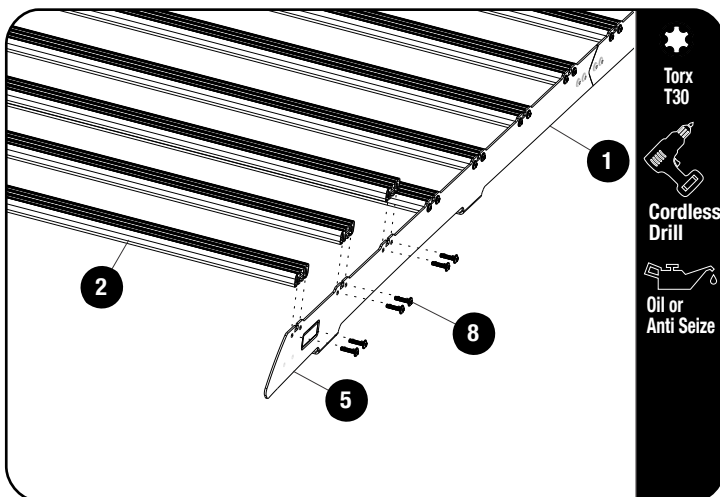
M6 : 8-10Nm / 5.9 ft lb - 7.38 ft lb

2.2



Remove the 8 Factory Fitted Caps on the roof.

2.3



Assemble the 13 SlimSport Slats (Item 2) to assembly 2.1 using M6 x 25 Thread Forming Screws (Item 8).

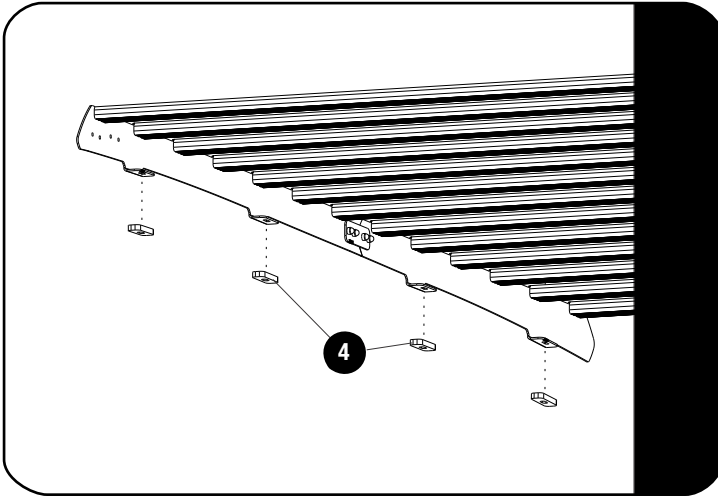


Use a little anti seize or oil on screw threads before inserting. Note these are Thread Forming Screws.



Tightening Torque 8-10Nm / 5.9 ft lb - 7.38 ft lb. Take care when using a cordless driver.

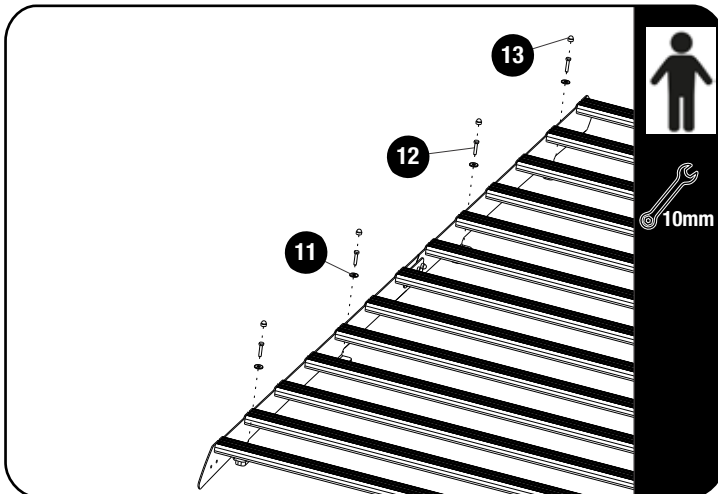
2.4



Place a bead of silicone around the existing mounting points from 2.2.

Place the Spacers as shown over the holes.

2.5



With the Help of a friend lift the Roof Rack on to the roof and place onto the spacers.

Using the M6 x 30 Hex Bolt (Item 12) together with the M6 x 20 x 2 Flat washer (Item 11). Loosley fit the M6 x 30 Hex Bolt (Item 12) on both sides. Once all the bolts are in place fully tighten all the M6 x 30 Hex Bolt (Item 12).

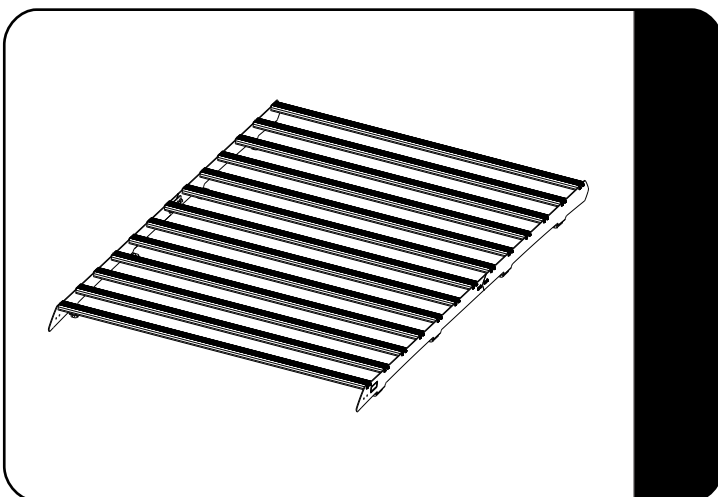
Place M6 Nut Caps (Item 13) on all the M6 x 30 Hex Bolt (Item 12).



Tightening Torque:

M6 : 8-10Nm / 5.9 ft lb - 7.38 ft lb

2.6



Congratulations! You did it. Take a step back and admire your work!

3

INSTALL OTHER VEHICLE AND RACK ACCESSORIES

Now's the time to visit your favorite Front Runner dealer in person or online.

IMPORTANT!

FRONT RUNNER RACK KITS OFTEN HAVE A HIGHER LOAD RATING THAN THE VEHICLES THEY ARE MOUNTED TO. PLEASE REFER TO YOUR SPECIFIC VEHICLE MANUFACTURER FOR A RECOMMENDED ROOF RATING. FRONT RUNNER CANNOT BE RESPONSIBLE FOR IMPROPER LOADING BEYOND THE VEHICLE MANUFACTURER'S STATED LOAD CAPACITY.

Be sure to tag us. We love to see our gear in action! #FrontRunnerOutfitters #BornToRoam

Share your adventures on: 