

START HERE! READ ME FIRST

Don't be a hero and muscle through this installation without reading these fitting instructions first! Improper installation of this gear may void certain aspects of your warranty.

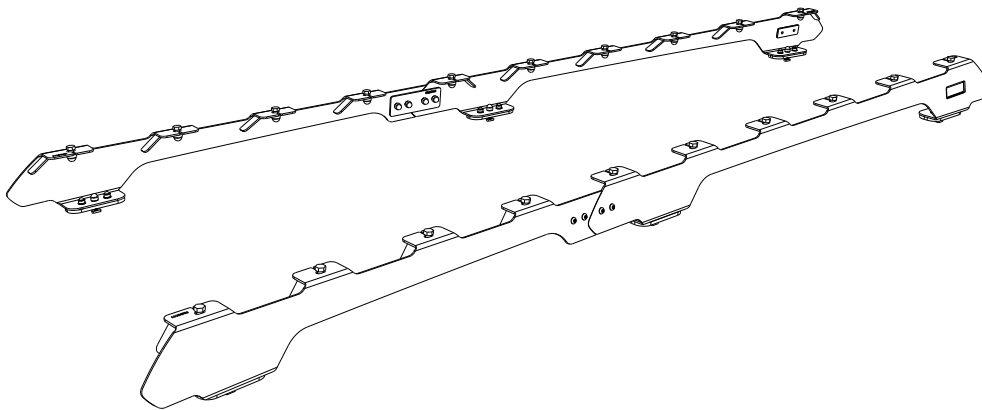
Before you begin, take a moment and open all your Front Runner rack kit boxes and gather the assembly instructions for the various components.

A complete kit will contain:

1. A Front Runner Mounting System specific to your vehicle
2. A Front Runner Rack Tray or Load Bar Slats

This document will guide you through the assembly of the mounting system and assist you in fitting the roof rack tray or load bars to your specific vehicle.

Please refer to the next page for a list of all the components, quantities and tools required.



IMPORTANT WARNING!

IT IS CRITICAL THAT ALL FRONT RUNNER PRODUCTS BE PROPERLY AND SECURELY ASSEMBLED AND ATTACHED TO YOUR VEHICLE. IMPROPER ATTACHMENT COULD RESULT IN AN AUTOMOBILE ACCIDENT, AND COULD CAUSE SERIOUS BODILY INJURY OR DEATH. YOU ARE RESPONSIBLE FOR ASSEMBLING AND SECURING ALL FRONT RUNNER PRODUCTS TO YOUR VEHICLE, CHECKING THE ATTACHMENTS PRIOR TO USE, AND PERIODICALLY INSPECTING THE PRODUCTS FOR ADJUSTMENT, WEAR AND DAMAGE. THEREFORE, YOU MUST READ AND UNDERSTAND ALL OF THE INSTRUCTIONS AND PRECAUTIONS SUPPLIED WITH YOUR FRONT RUNNER PRODUCT PRIOR TO INSTALLATION OR USE. IF YOU DO NOT UNDERSTAND ALL OF THE INSTRUCTIONS AND CAUTIONS, OR IF YOU HAVE NO MECHANICAL EXPERIENCE AND ARE NOT THOROUGHLY FAMILIAR WITH THE INSTALLATION PROCEDURES, YOU SHOULD HAVE THE PRODUCT INSTALLED BY A PROFESSIONAL INSTALLER OR OTHER QUALIFIED PERSONNEL.

NOTE: Front Runner will not be responsible for any damage caused by the failure to install the product according to these instructions.

Please call us if you have any questions about the installation of this product.

1

GET ORGANIZED

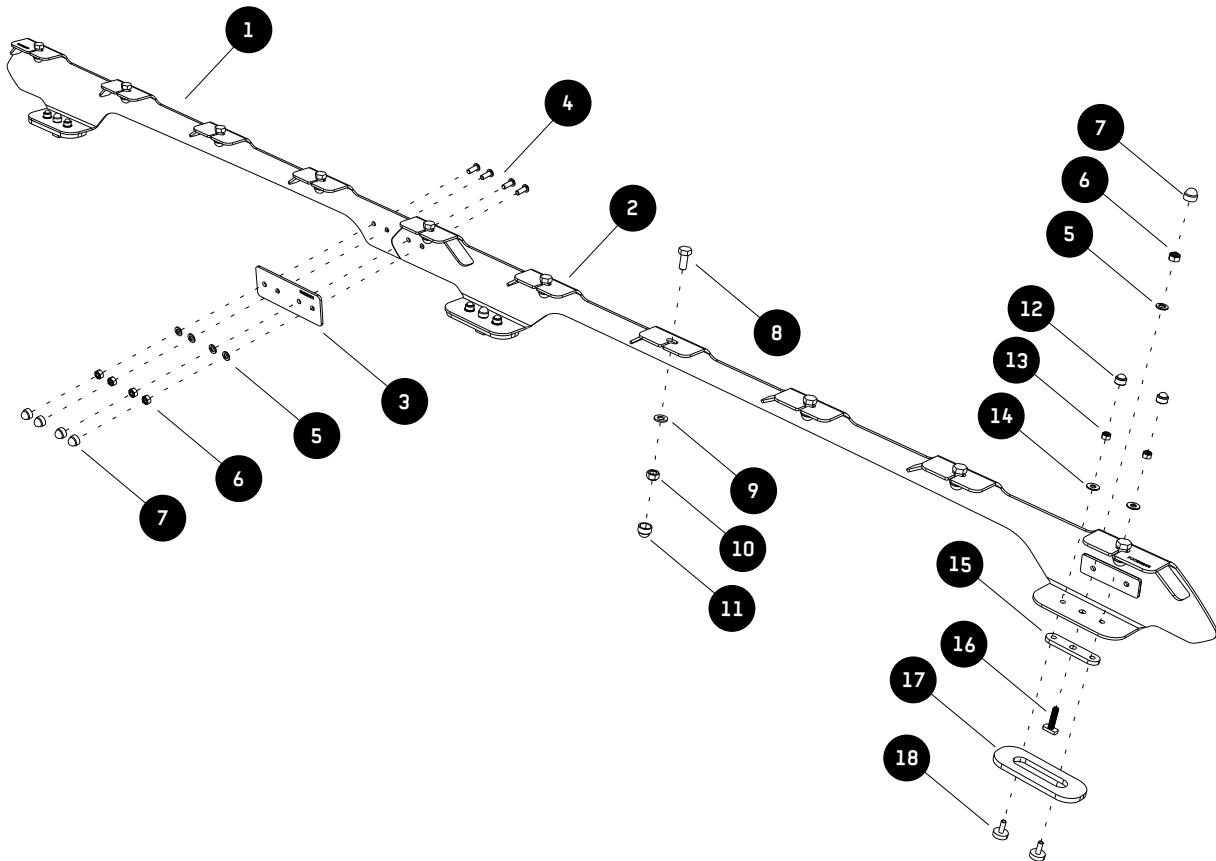
IN THE BOX

1	2 X	Foot Rail Front - 1LH + 1RH
2	2 X	Foot Rail Rear - 1LH + 1RH
3	2 X	Joiner Plate
4	8 X	M6 x 16 Button Head Bolt
5	14 X	M6 x 12 x 1SS Flat Washer
6	14 X	M6 Nyloc Nut
7	14 X	M6 Nut Cap
8	20 X	M8 x 20 Hex Bolt
9	20 X	M8 x 16 x 1.6SS Flat Washer
10	20 X	M8 Nyloc Nut
11	20 X	M8 Nut Cap
12	12 X	M5 Nut Cap
13	12 X	M5 Nyloc Nut
14	12 X	M5 x 13 x 1SS Flat Washer
15	6 X	Mounting Foot Base
16	6 X	T - Bolt
17	6 X	Foam Gasket
18	12 X	Spacer Assembly

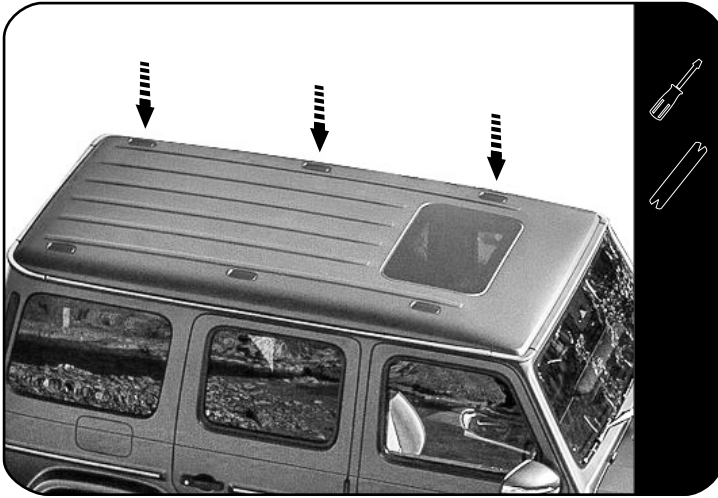
TOOLS NEEDED



FIGURE 1.1



2.1

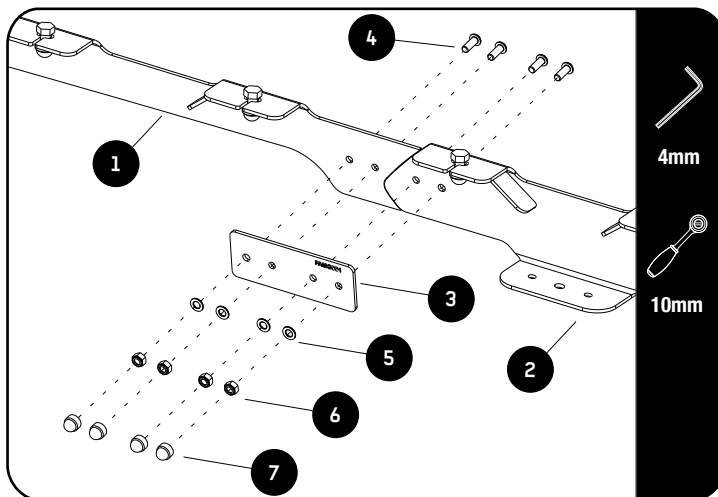


Before you start the fitment, remove the roof insert covers, using a panel tool or flat screw driver.

If you are fitting a Full Rack, remove all 6 covers.

If you are fitting a Half Rack, remove the middle and rear covers.

2.2



NOTE: For fitment of a Full Rack do Step 2.2 and 2.3.

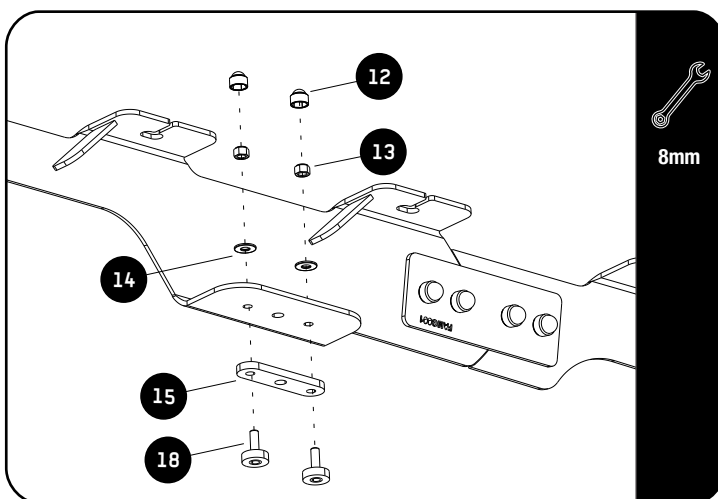
For fitment of a Half Rack proceed to Step 2.3.



Join the Front and Rear Foot Rails (Items 1 & 2) together using M6 x 16 Button Head Bolts, M6 x 12 x 1SS Flat Washers, M6 Nyloc Nuts and the Joiner Plates (Items 3, 4, 5 & 6).

Place a M6 Nut Cap (Item 7) over each of the Nyloc Nuts when done.

2.3



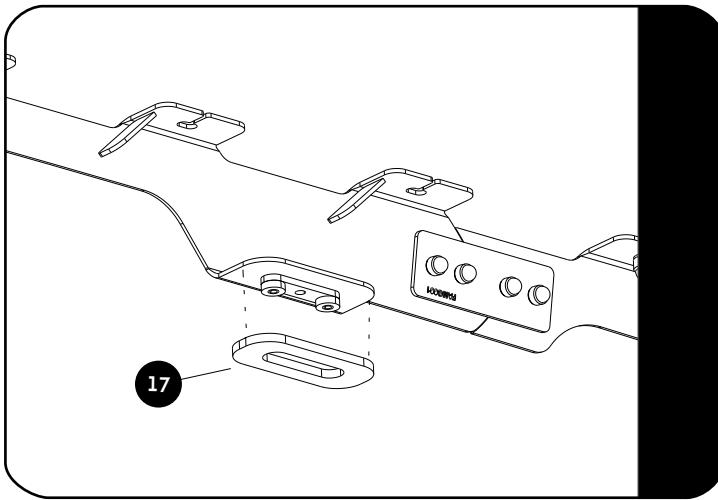
Assemble the Base Spacers (Item 15) to each of the feet on the Foot Rails using the Round Spacers (Item 18), M5 x 13 x 1SS Flat Washer and M5 Nyloc Nuts (Items 13 & 14) as shown.

Fully tighten and place a M6 Nut Cap (Item 12) over each of the Nyloc Nuts.

2

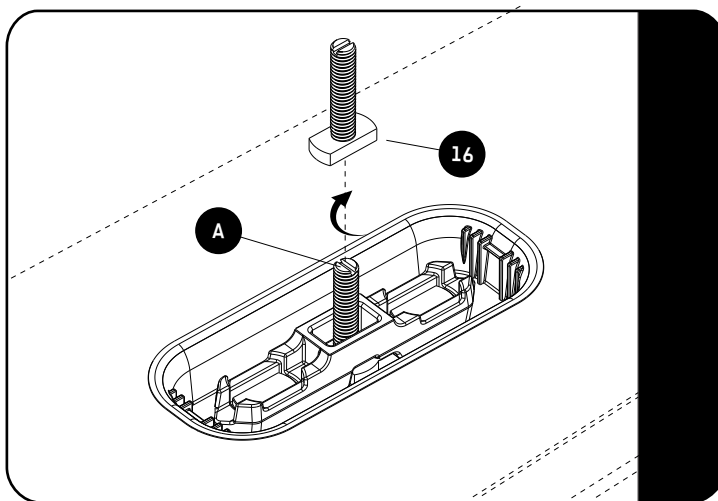
FIT AND SECURE

2.4



Remove the protective backing of the Foam Gasket (Item 17) and adhere the Gasket to the bottom of each foot as shown.

2.5

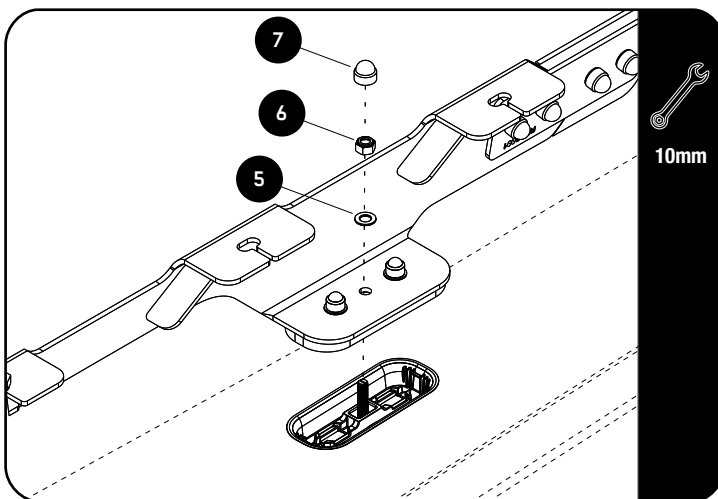


Before mounting the Foot Rail to the vehicle, insert a T-Bolt (Item 16) in each of the roof inserts as shown in 2.5.

Insert the T-Bolt and turn it clockwise 90 degrees.

Use the slot on the top of the bolt as a visual guide.

2.6



Secure the Foot Rails to the vehicle by placing them over the T-Bolts and fastening using M6 x 12 x 1SS Flat Washers and M6 Nyloc Nuts (Items 5 & 6) as shown.

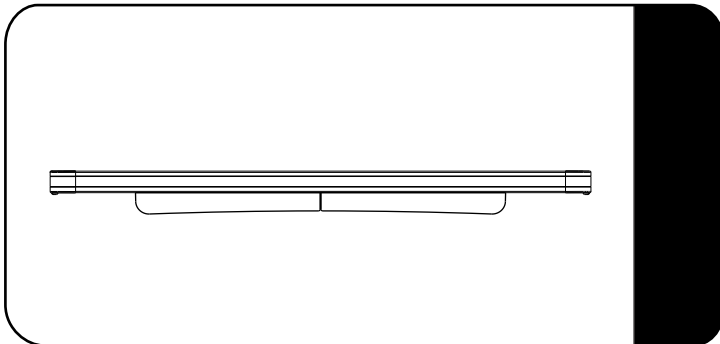
Make sure the T Bolt remains in the correct orientation while tightening. See detail A in 2.5.

Place a M6 Nut Cap over each of the Nyloc Nuts.

3

FIT AND SECURE

3.1

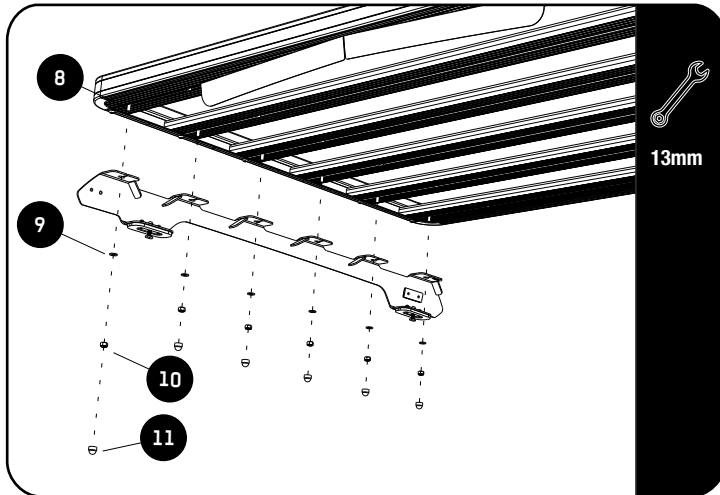


Make sure that the wind deflector is installed before you proceed to the next step.

Refer to Rack Fitment Guide.

Half Rack

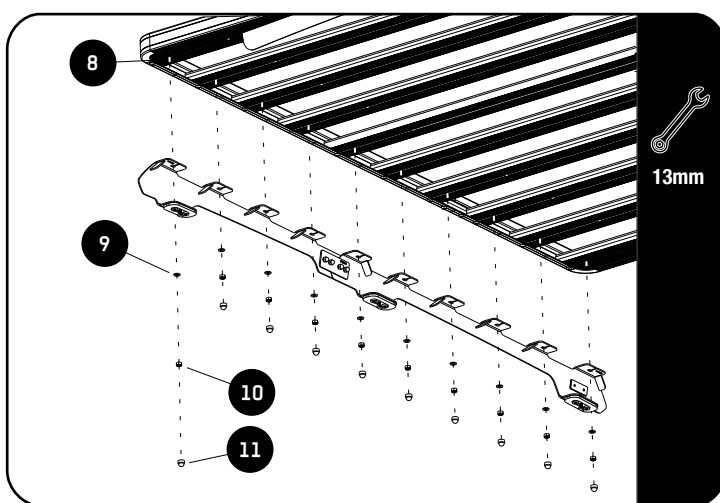
3.2



Fit your Roof Rack to the Foot Rails using M8 x 20 Hex Bolts, M8 x 16 x 1.6SS Flat Washers and M8 Nyloc Nuts (Items 8, 9 & 10).

Full Rack

3.3



Fit your Roof Rack to the Foot Rails using M8 x 20 Hex Bolts, M8 x 16 x 1.6SS Flat Washers and M8 Nyloc Nuts (Items 8, 9 & 10).

3.4

Center the rack and tighten fully. Use M8 nut caps (Item 11) to finish off the nuts.



4

COMPLETION

4.1

Congratulations! You did it. Take a step back and admire your work!



5

INSTALL OTHER VEHICLE AND RACK ACCESSORIES

Now's the time to visit your favorite Front Runner Dealer in person or online.

IMPORTANT!

FRONT RUNNER RACK KITS OFTEN HAVE A HIGHER LOAD RATING THAN THE VEHICLES THEY ARE MOUNTED TO. PLEASE REFER TO YOUR SPECIFIC VEHICLE MANUFACTURER FOR A RECOMMENDED ROOF RATING. FRONT RUNNER CANNOT BE RESPONSIBLE FOR IMPROPER LOADING BEYOND THE VEHICLE MANUFACTURER'S STATED LOAD CAPACITY.

Be sure to tag us. We love to see our gear in action! #FrontRunnerOutfitters #BornToRoam

Share your adventures on: 